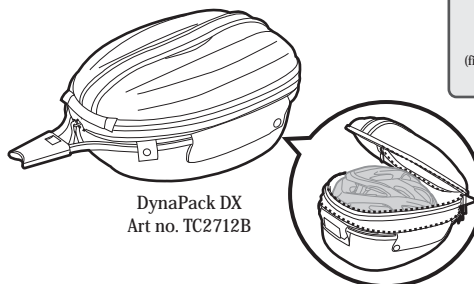


DynaPack  
Art no. TC2711B



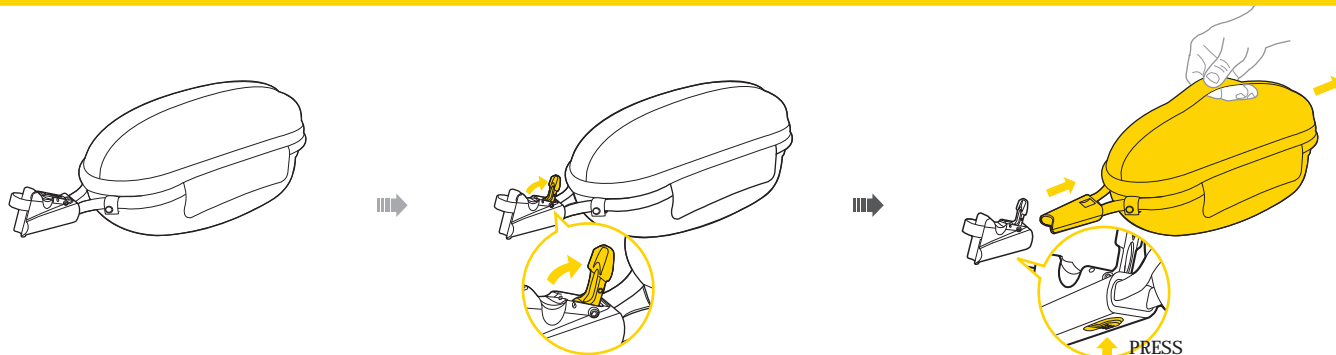
DynaPack DX  
Art no. TC2712B

Fixer 7		
Rubber Pad	Clamp Band Holder	Bolt
Clamp Band		
$\varnothing 27.2$ mm (fits $\varnothing 25.4$ – $27.2$ mm seatposts)	$\varnothing 31.6$ mm (fits $\varnothing 27.3$ – $31.6$ mm seatposts)	$\varnothing 34.9$ mm (fits $\varnothing 31.7$ – $34.9$ mm seatposts)

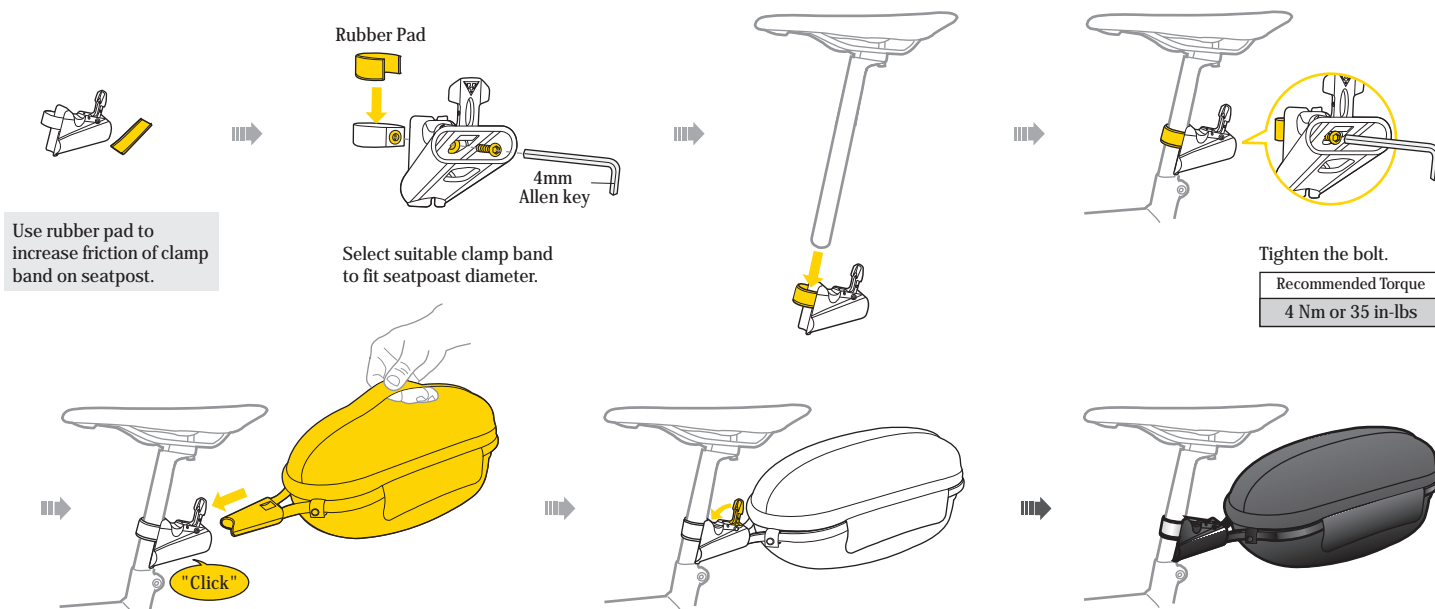
\* Tool Required: 4mm Allen key

Before installing Dynapack onto seatpost, select suitable clamp band to fit seatpost diameter. Disassemble pack and install the clamp band as shown below.

### DISASSEMBLY



### INSTALLATION



Use rubber pad to increase friction of clamp band on seatpost.

Rubber Pad  
Select suitable clamp band to fit seatpost diameter.  
4mm Allen key

Tighten the bolt.  
Recommended Torque  
4 Nm or 35 in-lbs

### IMPORTANT NOTES

1. Never exceed maximum loading capacity of 10 lbs (4.5 kgs) when using DynaPack.
2. DynaPack is not suitable or intended to be used with carbon fiber seatposts.
3. When installing clamp band, use rubber pad to avoid damaging seatpost.
4. Tighten clamp bolt securely to recommended torque (4 Nm or 35 in-lbs) to prevent Dynapack from swinging sideways and damaging seatpost.

### OPTIONAL ACCESSORIES

(sold separately)



Fixer 7  
Art no. TC1017



RedLite UFO  
Art no. TMS017



RedLite  
Art no. TMS004

### WARRANTY

2-year Warranty: All mechanical components against manufacturer defects only.

#### Warranty Claim Requirements

To obtain warranty service, you must have your original sales receipt. Items returned without a sales receipt will assume that the warranty begins on the date of manufacture. All warranties will be void if the product is damaged due to user abuse, system alteration, modification, or used in any way not intended as described in this operating manual.

\* The specifications and design are subject to change without notice.

Topeak products are available only from professional bicycle shops. Please contact your nearest Topeak authorized bicycle dealer for any questions. For customers in the USA, call: 1-800-250-3068, Website: www.topeak.com

Copyright © Topeak, Inc. 2007